

REPLACEMENT SHEET

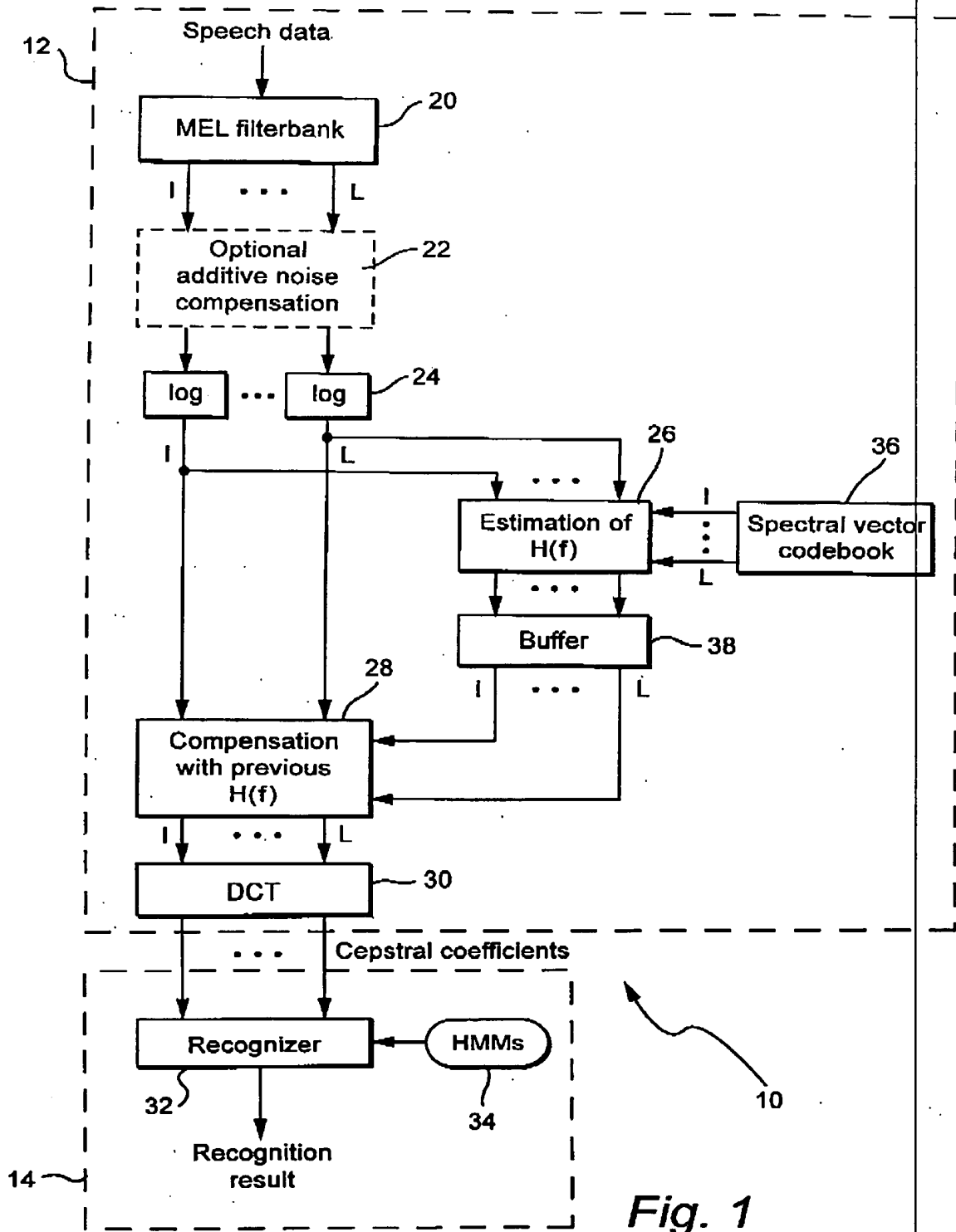


Fig. 1

REPLACEMENT SHEET

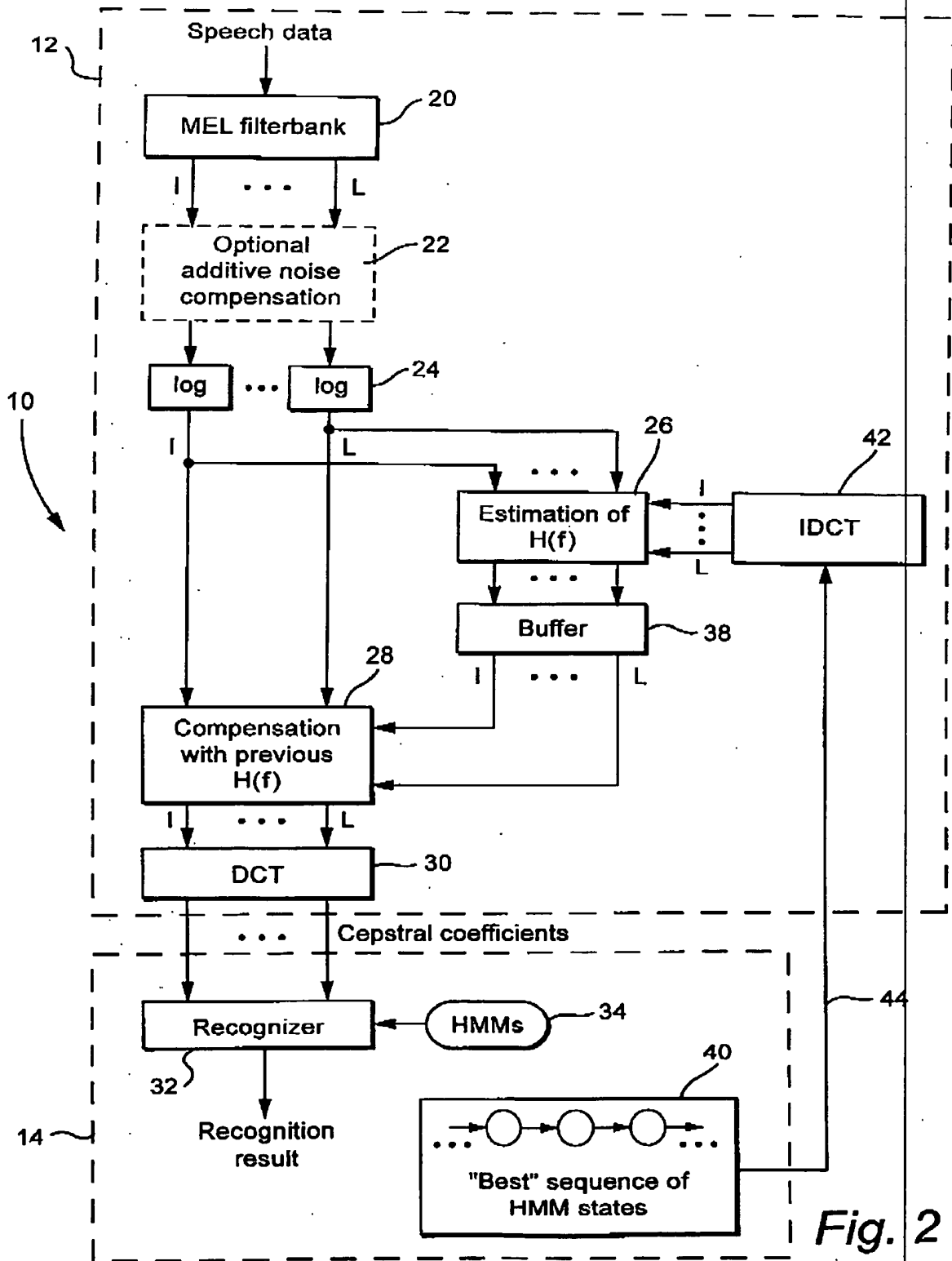


Fig. 2

REPLACEMENT SHEET

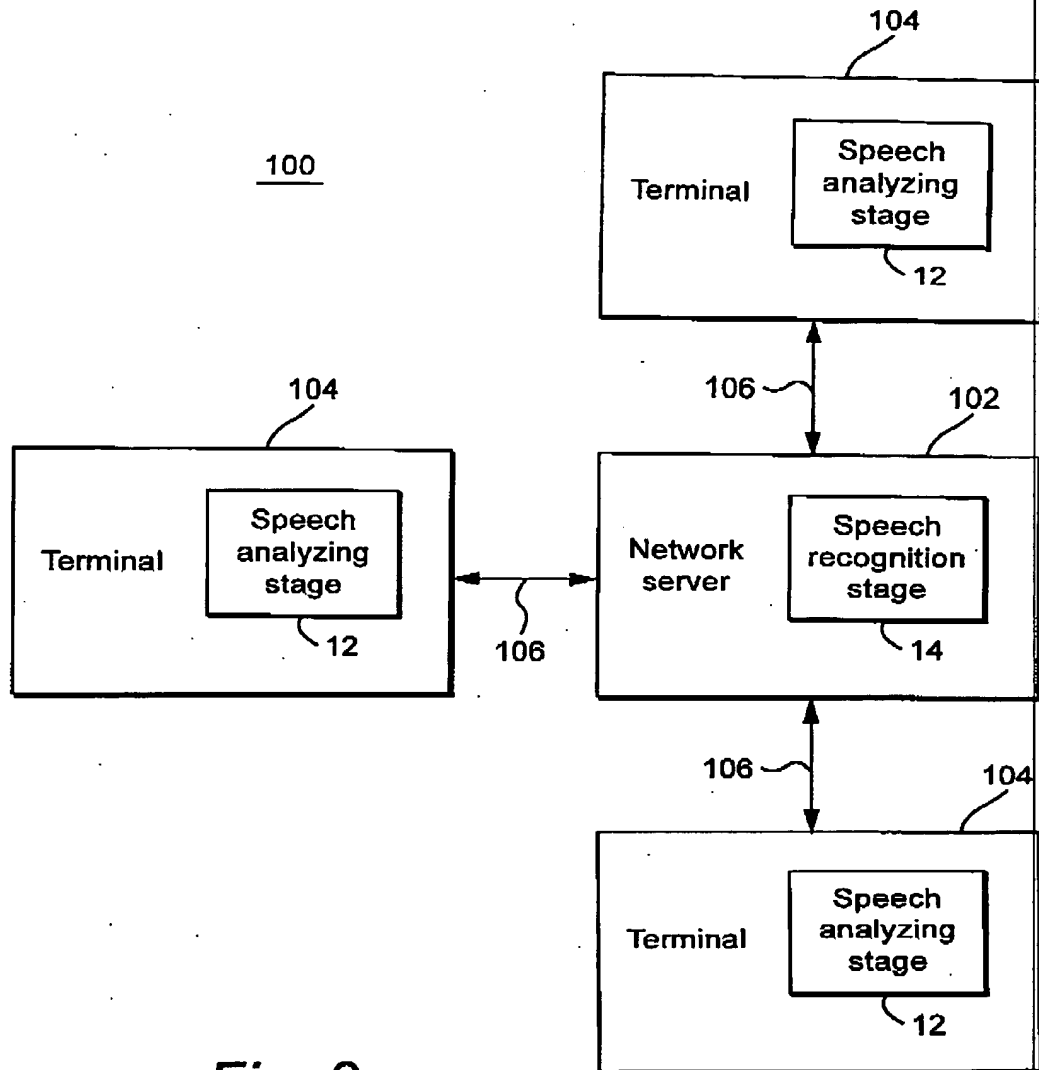


Fig. 3